



U 4.20, U 4.40

OIL FLOODED VACUUM PUMPS



U4.20 shown with optional KF-16 inlet flange

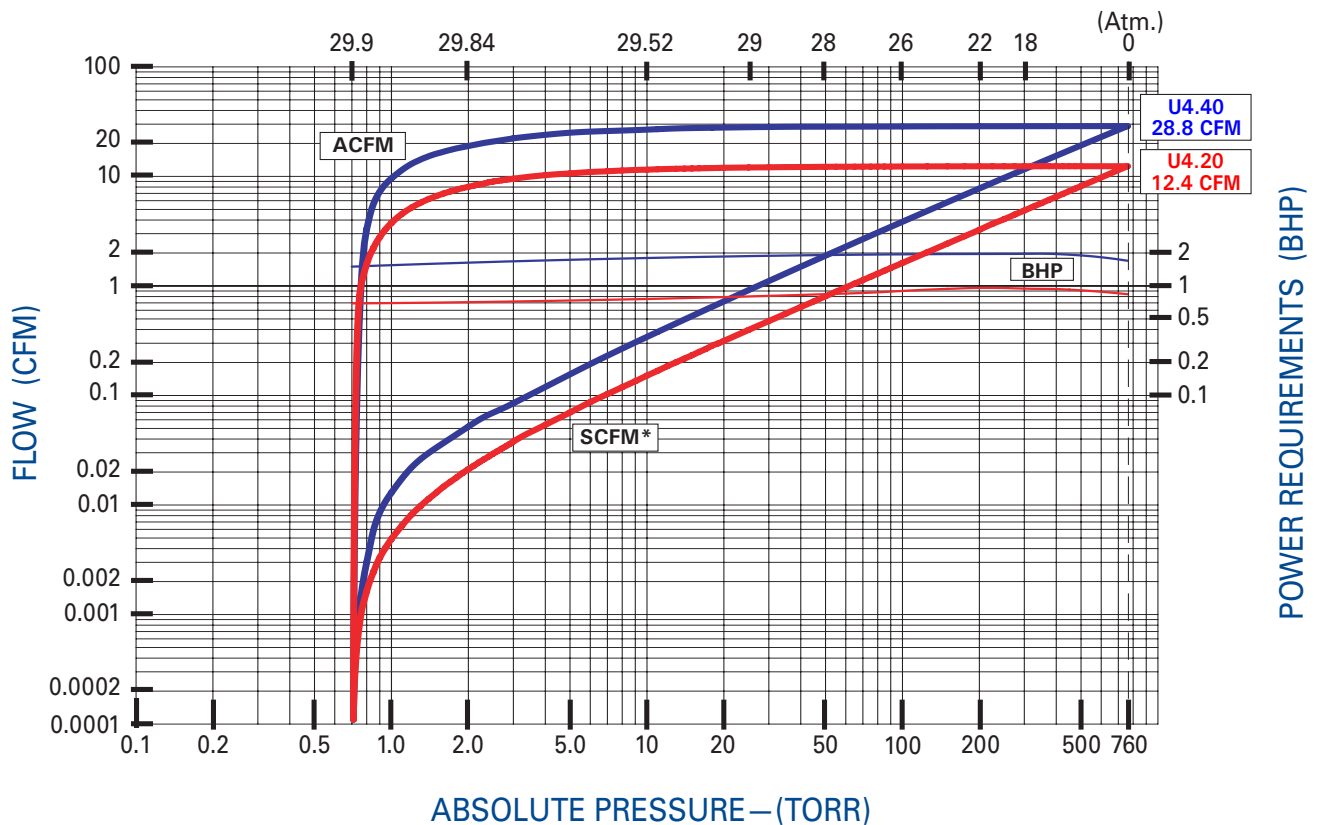
The Becker U 4.20 and U 4.40 are oil-flooded rotary vane vacuum pumps. They are designed to operate on a continuous basis, and are intended for operation from about 275 torr (19"HgV) to their ultimate pressure of 0.7 torr (29.9"HgV).

The U 4.20 and U 4.40 pumps are extremely compact, direct drive units supplied with a TEFC electric motor. Each pump is supplied with an exhaust box that includes an oil supply and several stages of oil separation. The oil separators ensure a clean, oil-free exhaust.

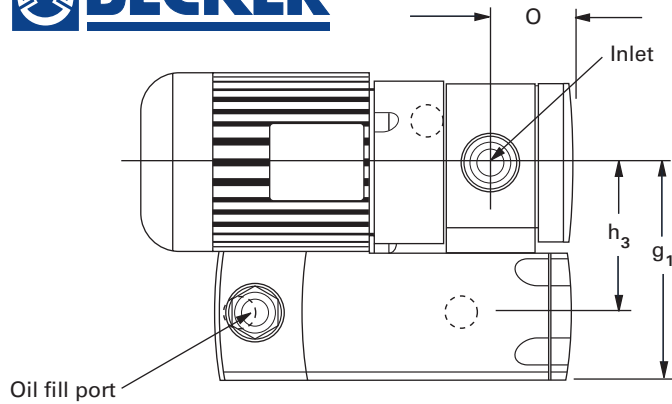
The Becker U 4.20 and U 4.40 pumps have a reputation for being exceptionally quiet; attractive, too.

Applications include packaging, vacuum chucking, robotics, material handling, degassing, and drying, among others.

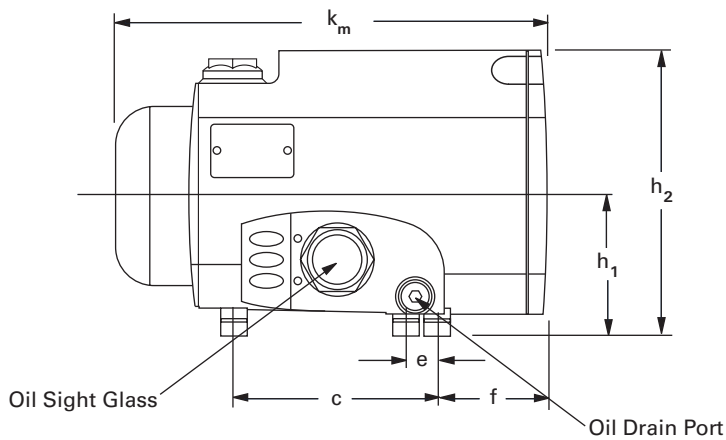
VACUUM LEVEL—(IN. HG VAC)



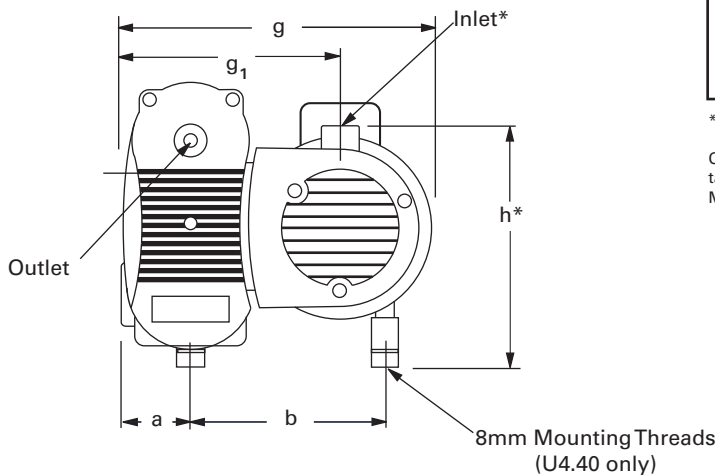
* @ 29.92" Hg Bar. Pr.; 68°F; 36% R.H.; 0.075#/ft³



Top View



Side View



End View (Opposite Motor End)

TECHNICAL DATA

All data based on 60 Hz operation

	U 4.20	U 4.40
Flow (SCFM @ 0 in. Hg)	12.4	28.8
Horsepower	0.9	2.4
Speed (RPM)	3400	3400
Ultimate Vacuum (Torr)	0.7	0.7
Weight (lbs.)—w/ motor*	44	84
Noise Level (Max. dBA)	67	71
Inlet Size (BSP, inches)	1/2 *	1
Outlet Size (Dia., in.)	G3/4	G3/4
Oil Capacity (Qt.)	0.5	1.0
Dimensional Data		
	Inches	
a	2.0	2.24
b	5.83	7.13
c	6.77	7.87
e	1.06	2.16
f	3.35	3.48
g	9.65	10.59
g ₁	6.5	7.76
h*	7.52	9.68
h ₁	4.25	5.0
h ₂	8.62	10.55
h ₃	4.49	5.51
k _m	13.31	18.19
o	2.48	2.81

* Without optional KF-16 flange

Overall dimensions of single phase units may vary. Contact factory for information.
Manufacturer reserves right to alter data without notice.